



Uninterrupted Power Supply

NEW
Range!



Battery Range Summary

The new EnerSys® new DataSafe® XE range of front terminal batteries has been developed to meet the challenging demands of the modern UPS market sector. Conventional Uninterrupted Power Supply (UPS) batteries that have historically focused on a 15 minute rate discharge become increasingly ineffective in fulfilling the growing need for sub five minute autonomies. Furthermore, the pressure to lower energy costs by minimizing air conditioning in equipment rooms results in a trend towards higher operating temperatures.

To meet these requirements, EnerSys has optimized its world-renowned, advanced Thin Plate Pure Lead (TPPL) technology to deliver three front terminal monoblocs with outstanding features and benefits. Unlike typical Valve Regulated Lead Acid (VRLA) batteries, DataSafe 12XE1010F-FR, 12XE1110F-FR and 12XE1150F-FR monoblocs, using Absorbed Glass Mat (AGM) technology, provide the perfect solution to the ever-evolving requirements of today's data center world.

Features and Benefits

- 1010, 1110 and 1150 Watts per cell sizes (five minute rate to 1.67 Vpc)
- Specifically designed for five minutes or less high-rate discharge applications
- Pure lead technology for longer life at elevated temperatures
- 12 year design life at 77°F (25°C)
- Up to 17 months shelf life for maximum flexibility in project deployment
- Outstanding power density in industry-standard footprints at 77°F (25°C)
- Fast recharge times to support multiple AC outages
- Lower energy consumption compared to traditional VRLA AGM batteries
- Front terminal design for ease of installation and maintenance

Construction

- High performance TPPL grids for optimized corrosion resistance at high operating temperatures
- Active material specifically engineered for maximum performance at sub five minute discharge rates
- Enhanced internal connections designed for high rate UPS loads
- Superior quality microporous glass mat separator with high absorption and stability
- Containers and lids in UL94 V-0 rated flame retardant ABS material, highly resistant to shock and vibration
- High grade sulphuric acid electrolyte absorbed into separator material
- Proven high integrity leak resistant dual-seal terminal design
- Self-regulating pressure relief valves prevent ingress of oxygen
- Flame arrestors built into each bloc for increased operational safety
- Robust rope handles for ease of handling

Installation and Operation

- Monoblocs are designed for installation in cabinets or on racks, close to the point of use. A separate battery room is not necessary
- It is recommended that DataSafe® XE blocs are installed upright
- Recommended float charge voltage: 2.27Vpc at 77°F (25°C) 2.29Vpc at 68°F (20°C)
- Low maintenance: no water addition required
- Wide operating temperature range: -40°F (-40°C) to 122°F (50°C)
- Connection torque: 9 ± 0.9 Nm – 80 ± 8 lbf in
- Up to 17 months shelf life

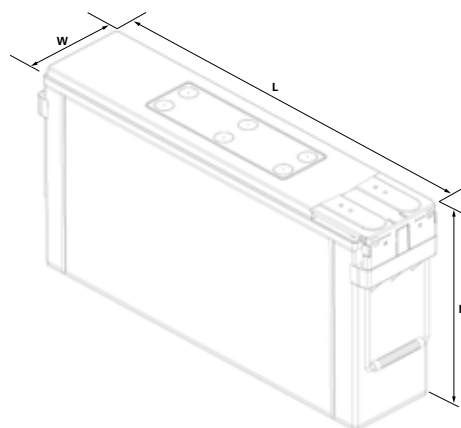
Standards

- Designed to be compliant with the requirements of international standard IEC 60896-21/22
- UL recognized component
- Classified as non-spillable and approved as non-hazardous cargo for ground, sea and air transportation in accordance with the requirements of IMDG (International Maritime code for Dangerous Goods) and ICAO (International Civil Aviation Organisation)
- The management systems governing the manufacture of DataSafe XE products are ISO 9001:2008 and ISO 14001:2004 certified

General Specifications

Battery Type	Nominal Voltage (V)	Watts/Cell (Wpc)		Nominal Capacity (Ah)		Nominal Dimensions				Overall Height (in) (mm)	Typical Weight (lbs) (Kg)	Short Circuit Current (A) ¹	Internal Resistance (mΩ) ¹	Terminals		
		5min/1.67Vpc 77°F/25°C	15min/1.67Vpc 77°F/25°C	C10/1.80Vpc 68°F/20°C	C8/1.75Vpc 77°F/25°C	Length (in) (mm)	Width (in) (mm)	Depth (in) (mm)	Height (in) (mm)							
12XE1010F-FR	12	1010	566	155	157	22.09	561	4.92	125	11.1	283	107.36	48.7	3498	3.56	M6 male
12XE1110F-FR	12	1110	649	165	167	22.09	561	4.92	125	11.1	283	113.98	51.7	3916	3.20	M6 male
12XE1150F-FR	12	1150	706	180	181	22.09	561	4.92	125	12.4	316	129.19	58.6	4081	3.07	M6 male

Note:
¹ Figures obtained via IEC method.



connect@alpinepowersystems.com
877-993-8855

Battery Services for Backup Power

- Battery Installation
- Capacity and Acceptance Testing
- Preventative Maintenance
- Recycling

backup power | telecom | motive power
alpinepowersystems.com