

Deka®

unigy I®

12AVR145ET

- Front access design for easy installation and maintenance
- Plates formed with IPF™ technology to assure consistent cell to cell performance
- Absorbed glass mat separators
- Reinforced case resists bulging and meets safety requirements (UL 94 V-0)
- Case & cover heat sealed and 100% tested to prevent leaks
- Epoxy-sealed posts eliminate leaks
- Puncture resistance micro-porous glass mat separators extend life
- Flame arresting, low pressure, self-sealing valves are 100% factory tested
- Computer-aided design and manufacturing control processes and standards to ensure quality products
- All batteries meet or exceed IEEE 485, 1187, 1188, and Telcordia capacity requirements at shipment.
- Battery design and construction meet UL recognition requirements



SPECIFICATIONS

- Nominal Voltage:** 12-Volt/145 ampere-hours
@ 8 hr. rate to 1.75 final v.p.c.
- Positive Plate:** Pure lead, low-calcium, high-tin alloy
- Negative Plate:** Lead calcium alloy
- Post Seal:** Epoxy-sealed
- Terminal:** Front access, 1/4" - 20 threaded insert
- Container:** Flame-retardant, polypropylene -
UL 94 V-0/>28% L.O.I.
- Safety Vent:** Low positive pressure, self-sealing
w/ flame arrestor
- Float Voltage:** 2.25 v.p.c. ± 0.01 v.p.c. @ 77°F (25°C)
(Range: 13.44 to 13.56 volts per 6-cell battery)

Battery Life: 10 years in float applications at 77°F (25°C)

Dimensions: 17.58" (446.6 mm) L
x 6.89" (174.9 mm) W
x 10.10" (256.5 mm) H

Weight: 105 lbs. (47.7 kg)



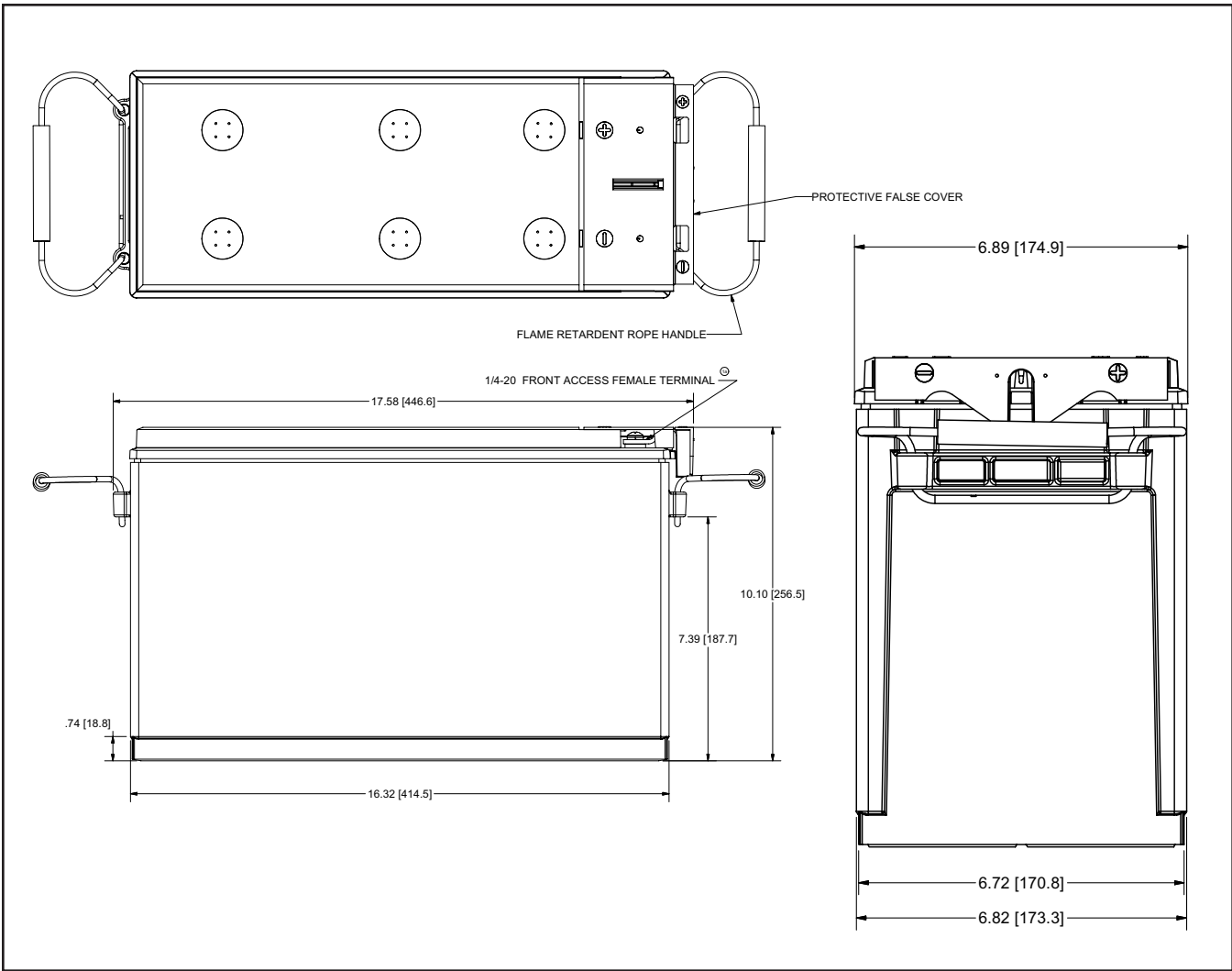
QUALITY SYSTEM
CERTIFIED TO
ISO 9001
ISO/TS 16949
ISO 14001



DISCHARGE RATE IN AMPS[†] @77°F

Volts Per Cell (V.P.C.)	1 HR.	3 HR.	5 HR.	8 HR.	10 HR.	12 HR.	20 HR.	24 HR.
1.75	93.9	39.2	26.3	18.1	14.8	12.6	7.9	6.7
1.80	91.4	38.7	26.0	17.9	14.6	12.4	7.8	6.6
1.85	86.1	37.3	25.1	17.3	14.1	12.0	7.5	6.3
1.88	81.0	35.7	24.1	16.6	13.6	11.5	7.2	6.1
1.90	76.8	34.4	23.3	16.0	13.1	11.1	6.9	5.8

[†] Subject to change without notice.



Battery Services for Backup Power

- Battery Installation
- Capacity and Acceptance
- Preventative Maintenance
- Recycling

connect@alpinepowersystems.com
877-993-8855

backup power | telecom | motive power
www.alpinepowersystems.com