

Deka® unigy®

HIGH RATE SERIES

HR7500ET

- **Exclusive IPF® Technology optimizes power capacity, cell consistency, and long-term reliability**
- Advanced AGM technology for superior high rate, short term power
- Front access design for easy installation and maintenance
- Reinforced case resists bulging and meets safety requirements (UL 94 V-0)
- Case & cover heat sealed and 100% tested to prevent leaks
- Epoxy-sealed posts eliminate leaks
- Puncture resistant micro-porous glass mat separators extend life
- Flame arresting, low pressure, self-sealing valves are 100% factory tested
- Computer-aided design and manufacturing control processes and standards to ensure quality products
- All batteries meet or exceed IEEE recommended practices
- Battery design and construction meet UL recognition requirements



QUALITY SYSTEM
CERTIFIED
ISO 9001
ISO/TS 16949
ENVIRONMENTAL
SYSTEM CERTIFIED
ISO 14001



SPECIFICATIONS

Nominal Voltage: 12-Volt/750 w.p.c.
@ 15 min. rate to 1.67 v.p.c.

Positive Plate: Pure lead, low-calcium,
high-tin alloy

Negative Plate: Lead calcium alloy

Post Seal: Epoxy-sealed

Terminal: Front access, 1/4" - 20
threaded insert

Container: Flame-retardant, polypropylene -
UL 94 V-0/>28% L.O.I.

Safety Vent: Low positive pressure,
self-sealing w/ flame arrestor

Float Voltage: 2.25 v.p.c. ± 0.01 v.p.c. (Range: 13.44
to 13.56 volts per 6-cell battery)

Design Life: 10 years in float applications
at 77°F (25°C)

Dimensions: 24.00" (609.6 mm) L
x 4.90" (124.5 mm) W
x 12.74" (323.5 mm) H

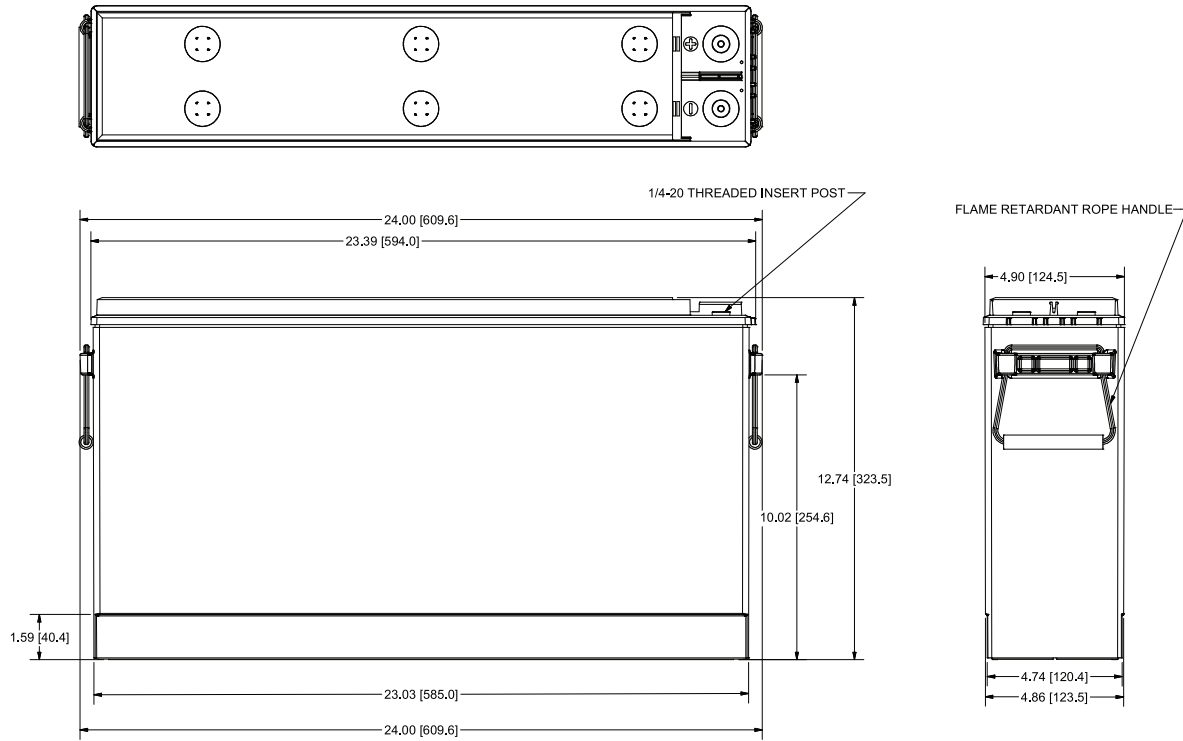
Weight: 150 lbs. (68.04 kg)

DISCHARGE RATE IN WATTS PER CELL RATINGS @ 77°F (25°C)†

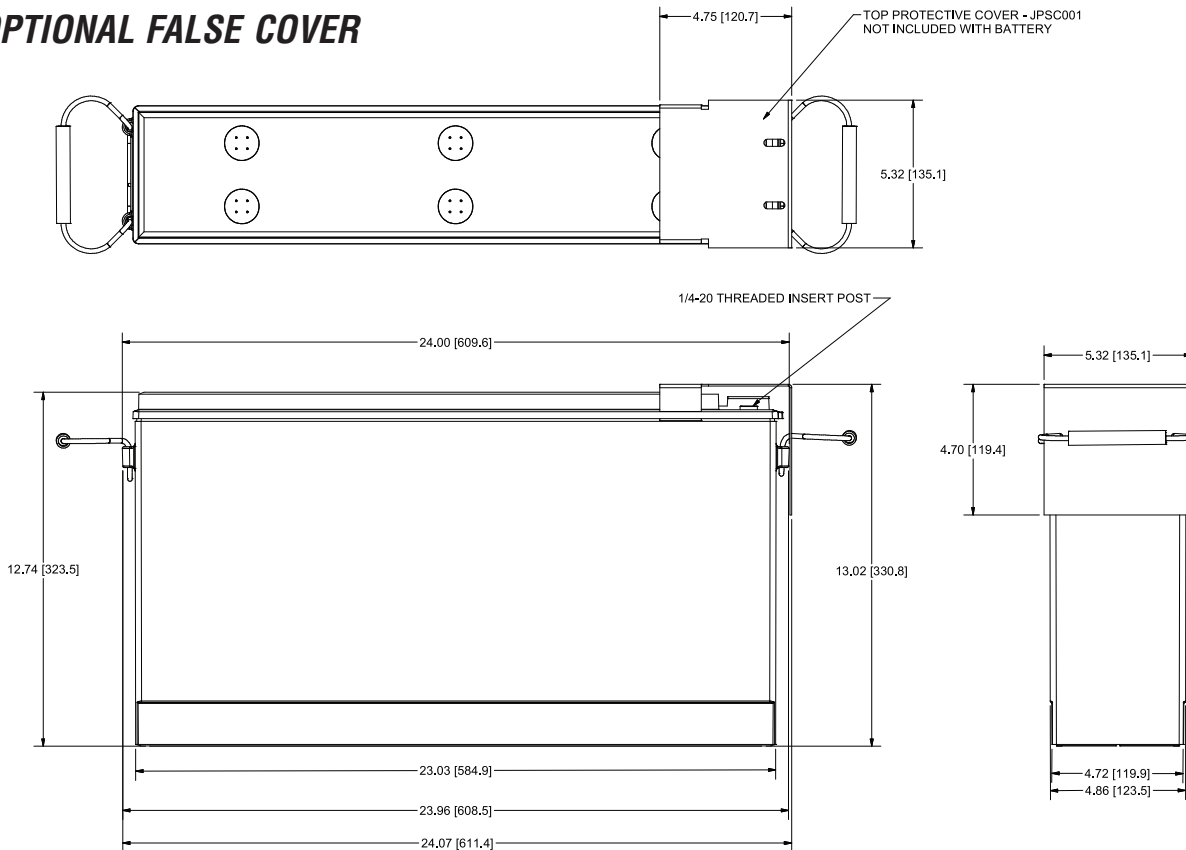
Volts Per Cell (VPC)	5 MINS.	10 MINS.	15 MINS.	20 MINS.	30 MINS.	40 MINS.	50 MINS.	60 MINS.
1.60	1196	960	795	672	510	412	345	299
1.67	1098	892	750	644	499	406	341	296
1.70	1052	857	723	626	492	403	339	294
1.75	961	791	674	587	467	388	330	289
1.80	849	714	616	547	436	365	312	275

† Subject to change without notice.

STANDARD



OPTIONAL FALSE COVER



connect@alpinepowersystems.com
877-993-8855

Battery Services for Backup Power

- Battery Installation
- Capacity and Acceptance Testing
- Preventative Maintenance
- Recycling

backup power | telecom | motive power
alpinepowersystems.com